

## Marine Generator Set

### Generator Features

- The unique Fast-Response™ X excitation system delivers excellent voltage response and short-circuit capability using a rare-earth permanent magnet-excited alternator
- The brushless, rotating-field alternator has broadrange reconnectability
- Remote control connector
- Class H insulation
- Reconnectable voltage
- One- or three-phase reconnectable alternator
- Voltage regulation of ±0.5%
- Frequency regulation of 0.5%
- Heat exchanger cooled configuration includes a wet exhaust bend
- Keel cooled configuration includes a dry exhaust bend

## Generator Weights and Dimensions

	Without Sound Shield		With Sound Shield
	HX/KC*	RAD*	HX/KC*
Weight, kg (lb.)			
Wet	971 (2140)	993 (2190)	1080 (2380)
Dry	943 (2080)	966 (2130)	1052 (2320)
Length, mm (in.)	1549 (60.97)	1884 (74.15)	1633 (64.29)
Width, mm (in.)	738 (29.04)	827 (32.57)	767 (30.20)
Height, mm (in.)	961 (37.82)	1465 (57.68)	1015 (39.97)

\* HX/KC = Heat Exchanger/Keel Cooled Model, RAD = Radiator Model

Above dimension excludes exhaust outlet. Refer to appropriate ADV for detailed dimensions.

### Optional Agency Type Approvals

- Det Norske Veritas–Germanischer Lloyd (DNV–GL)
- China Classification Society (CCS)



## Generator Ratings (Prime)

Model	Heat Exchanger/Keel Cooled Models				Radiator Models		
	Generator (Alternator)	Voltage	Hz	Ph	Amps	Rated kW/kVA	Amps
40EFOZDJ (4P8X)	110/190	50	3	152	40.0/50.0	152	40.0/50.0
	110/220	50	3	131	40.0/50.0	131	40.0/50.0
	115/230	50	1	174	40.0/40.0	174	40.0/40.0
	120/208	50	3	139	40.0/50.0	139	40.0/50.0
	220/380	50	3	76	40.0/50.0	76	40.0/50.0
	230/400	50	3	72	40.0/50.0	72	40.0/50.0
	240/416	50	3	69	40.0/50.0	69	40.0/50.0

RATINGS: Ratings per ISO 3046, ISO 8528-1, and Kohler ISO rating guideline 2.14. Obtain technical information bulletin (TIB-101) on ratings guidelines for complete ratings definitions. Availability is subject to change without notice. Kohler Co. reserves the right to change the design or specifications without notice and without any obligation or liability whatsoever. Contact your local Kohler generator set distributor for availability.

10% overload capacity one hour in twelve hours.

# Application Data

## Engine

Engine Specifications	50 Hz
Type	Inline, 4-cycle
Number of cylinders	4
Firing order	1-3-4-2
Aspiration	Turbocharged
Displacement, L (cu. in.)	4.5 (275)
Bore and stroke, mm (in.)	106 x 127 (4.19 x 5.00)
Compression ratio	17.6:1
Combustion system	Direct injection
Rated rpm	1500
Maximum power at rated rpm, HP	74
Cylinder block material	Cast iron
Cylinder head material	Cast iron
Piston rings	2 compression/1 oil
Crankshaft material	Forged steel
Connecting rod material	Forged steel
Governor type	Electronic isochronous

## Engine Electrical

Engine Electrical System	50 Hz
Battery, voltage	12- or 24-volt spec isolated ground, standard
Battery, charging (12 volt)	75 amp
Battery, charging (24 volt)	50 amp
Battery, recommendation (min., 12 volt)	625 CCA
Starter motor	Gear-reduction type

## Cooling

Cooling System	50 Hz
Capacity, L (U.S. qt.) (approx.), <b>HX/KC*</b> <b>RAD*</b>	14 (15) 24.6 (26)
Cooling type, <b>HX*</b> <b>RAD*</b>	Heat exchanger Radiator
Seawater pump type, <b>HX/KC*</b>	John Deere gear driven
Seawater pump suction lift, maximum, m (ft.), <b>HX/KC*</b>	3.0 (10.0)
Heat rejected to jacket water at rated kW, kW (Btu/min.)	47 (2681)
Engine water pump flow, Lpm (gpm)	116 (30)
Seawater pump flow, Lpm (gpm), <b>HX/KC*</b>	70 (18)

## Fuel

Fuel System	50 Hz
Fuel recommendation	Diesel fuel specified to EN 590 or ASTM D975
Fuel shutoff solenoid	Electric
Fuel injection pump	Stanadyne DE10, electronic
Fuel pump priming	Manual
Maximum recommended fuel lift, m (ft.)	3.0 (10.0)

\* **HX** = Heat Exchanger, **KC** = Keel Cooled, **RAD** = Radiator Model

## Lubrication

Lubricating System	50 Hz
Oil pan capacity with filter, L (U.S. qt.)	14.0 (14.8)
Type	Pressure

## Operation Requirements

Air Requirements	50 Hz
Engine combustion air requirements, m <sup>3</sup> /min. (cfm)	3.5 (124)
Max. air intake restriction, kPa (in. H <sub>2</sub> O)	6.25 (25)
Cooling air required for generator set at 50°C (122°F) ambient, m <sup>3</sup> /min. (cfm)	
<b>HX/KC*</b>	15.72 (555)
<b>RAD*</b>	113.3 (4000)
Exhaust flow, m <sup>3</sup> /min. (cfm)	9.0 (300)
Exhaust temp., °C (°F)	455 (851)
Max. allowed exhaust backpressure, kPa (in. H <sub>2</sub> O)	7.5 (30)

Fuel Consumption	50 Hz
<b>Diesel, Lph (gph) at % load</b>	
100%	11.5 (3.0)
75%	8.8 (2.3)
50%	6.2 (1.6)
25%	3.8 (1.0)

## Engine Features

- One-side serviceability of fuel system, lubrication system, and air cleaner
- Low oil pressure cutout
- High water temperature cutout
- Loss of coolant cutout
- Overcrank cutout
- Belt guard
- Optional digital gauge
- Disposable oil filter
- Extended oil drain
- PTO options: 12- or 24-volt electric clutch

## Controller Features

- A graphical display and pushbutton/rotary selector dial provide easy, local data access.
- Measurements are selectable in metric or English units.
- The controller supports Modbus® protocol with serial bus (RS-485) or Ethernet networks.
- Scrolling display shows critical data at a glance.
- Graphical display of power metering (kW, kVA, V, I, PF, and VAR).
- Integrated hybrid voltage regulator providing ±0.5% regulation.
- Built-in alternator thermal overload protection.

Modbus® is a registered trademark of Schneider Electric.

# Decision-Maker<sup>®</sup> 3500 Paralleling Controller



Provides advanced control, system monitoring, and system diagnostics for optimum performance and compatibility. The Decision-Maker<sup>®</sup> 3500 controller uses a patented hybrid voltage regulator and unique software logic to manage alternator thermal overload protection features normally requiring additional hardware. Additional features include:

- **AC Output Voltage Regulator Adjustment.** The voltage adjustment provides a maximum adjustment of  $\pm 10\%$  of the system voltage.
- **Alarm Silence.** The controller can be set up to silence the alarm horn only when in the AUTO mode for NFPA-110 application or Always for user convenience.
- **Alternator Protection.** The controller provides generator set overload and short circuit protection matched to each alternator for the particular voltage/phase configuration.
- **Automatic Restart.** The controller automatic restart feature initiates the start routine and re crank after a failed start attempt.
- **Cyclic Cranking.** The controller has programmable cyclic cranking.
- **ECM Diagnostics.** The controller displays engine ECM fault code descriptions to help in engine troubleshooting.
- **Engine Start Aid.** The configurable starting aid feature provides customized control for an optional engine starting aid.
- **Event Logging.** The controller keeps a record (up to 1000 entries) for warning and shutdown faults. This fault information becomes a stored record of system events and can be reset.
- **Historical Data Logging.** Total number of successful starts of the generator is recorded and displayed.
- **Integrated Hybrid Voltage Regulator.** The voltage regulator provides  $\pm 0.5\%$  no-load to full-load RMS voltage regulation with three-phase sensing.
- **Lamp Test.** Press the alarm silence/lamp test button to verify functionality of the indicator lights.
- **LCD Display.** Adjustable contrast for improving visibility.
- **Measurement Units.** The controller provides selection of English or metric displays.
- **Power Metering.** Controller graphical display provides voltage, current, power factor, kW, kVA, and kVAR.
- **Programming Access (USB).** Provides software upgrades and diagnostics with PC software tools.
- **Remote Reset.** The remote reset function supports acknowledging and resetting faults and allows restarting of the generator set without going to the master control switch off/reset position.
- **Run Time Hourmeter.** The generator set run time is displayed.
- **Time Delay Engine Cooldown (TDEC).** The TDEC provides a time delay before the generator set shuts down.
- **Time Delay Engine Start (TDES).** The TDES provides a time delay before the generator set starts.
- **Voltage Selection Menu.** This menu provides the capability to switch the generator output voltage. NOTE: Generator set output leads may require reconnection.
- **Paralleling Functions:**
  - Bus sensing
  - First on logic
  - Synchronizing
  - Communication based isochronous load sharing
  - Droop load sharing
  - External controlled load sharing via analog bias signals

# Alternator Specifications

## Alternator Specifications

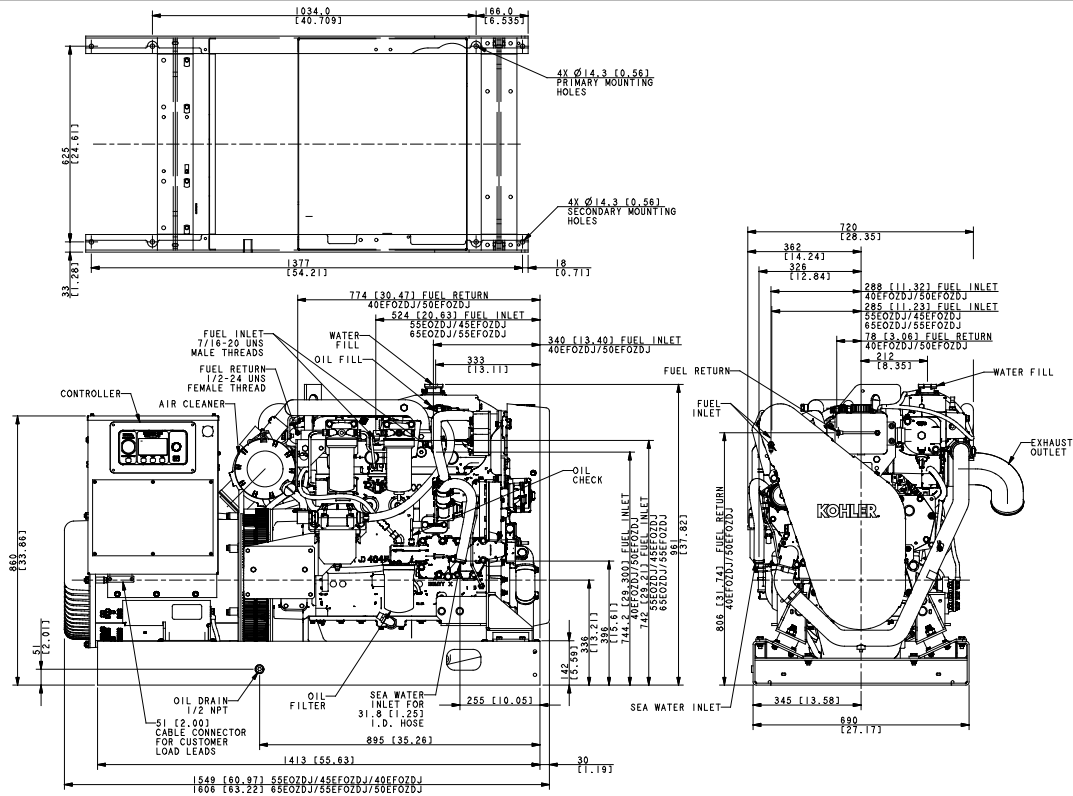
Specifications	Alternator
Manufacturer	Kohler
Type	4-pole, rotating-field
Exciter type	Brushless, rare-earth permanent-magnet
Voltage regulator	Solid state, volts/Hz
Insulation: NEMA MG1	
Material	Class H
Temperature rise	115°C
Bearing: number, type	1, sealed
Coupling	Flexible disc
Amortisseur windings	Full
Voltage regulation, no load to full load	$\pm 0.5\%$
One-step load acceptance per NFPA 110	100% of rating
Peak motor starting kVA:	(35% dip for voltages below)
480 V, 400 V	261 (60 Hz), 218 (50 Hz)
4P8X (12 lead)	

## Alternator Features

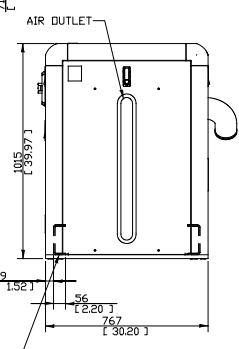
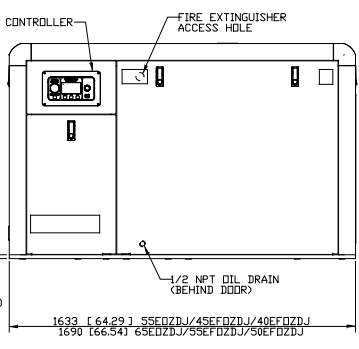
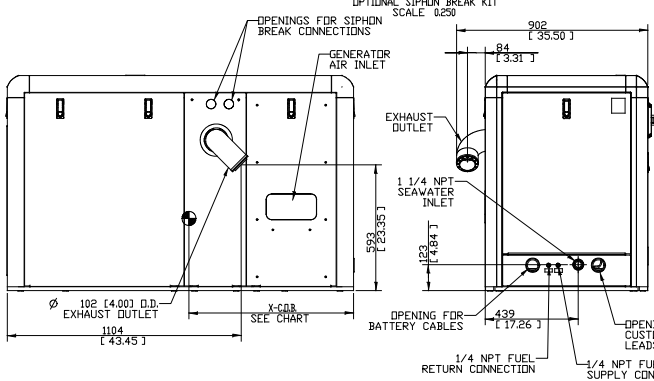
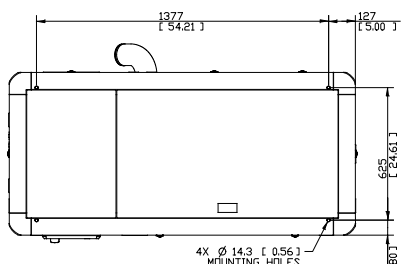
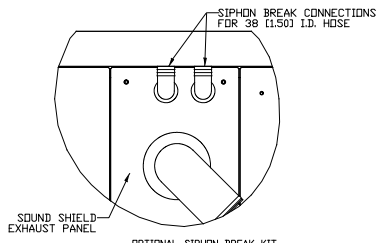
- NEMA MG1, IEEE, and ANSI standards compliance for temperature rise and motor starting.
- Capable of sustained line-to-neutral short circuit current of up to 300% of the rated current for up to 2 seconds. (IEC 60092-301 short-circuit performance.)
- Sustained short-circuit current enabling downstream circuit breakers to trip without collapsing the alternator field.
- Self-ventilated and dripproof construction.
- Vacuum-impregnated windings with epoxy varnish for dependability and long life.
- Superior voltage waveform from a two-thirds pitch stator and skewed rotor.

## Optional Accessories

- Modular sound shield manufactured with 5052-H32 aluminum in powder-coated Matterhorn white
- Circuit breakers
- Remote digital display
- Remote monitoring, start/stop panel with wiring harness for connection to the generator controller
- Duplex fuel filter
- Siphon break
- Remote connection/extension harness
- Oil level indicator (high/low)
- Low coolant level indicator
- Electric front clutch power takeoff (PTO)  
12- or 24- volt



ADV-8501-B



GENSET MUST BE SUPPORTED UNDER FULL LENGTH OF RAIL WITHIN DIMENSION SHOWN (TYP. BOTH SIDES)

ADV-8504-

**DISTRIBUTED BY:**

NOTE: Dimensions are shown in mm [in.].  
 NOTE: This drawing is provided for reference only and is not intended for installation planning. Contact your local distributor for more detailed information.